



# SPE SHEET

## Kitchen Stainless Steel Sink

### Model # BRUS401

#### Features

- 304 stainless steel material
- 18 gauge thickness
- Satin finish
- cUPC certificate
- Classic undermount sink
- Template and mounting clips
- Scratch-resistant, sound-deadening



#### Product Measurements

- Inside dimension: 28"x16"
- Overall dimension: 30"x18"x9"
- Bowl depth: 9"

#### Codes/Standards

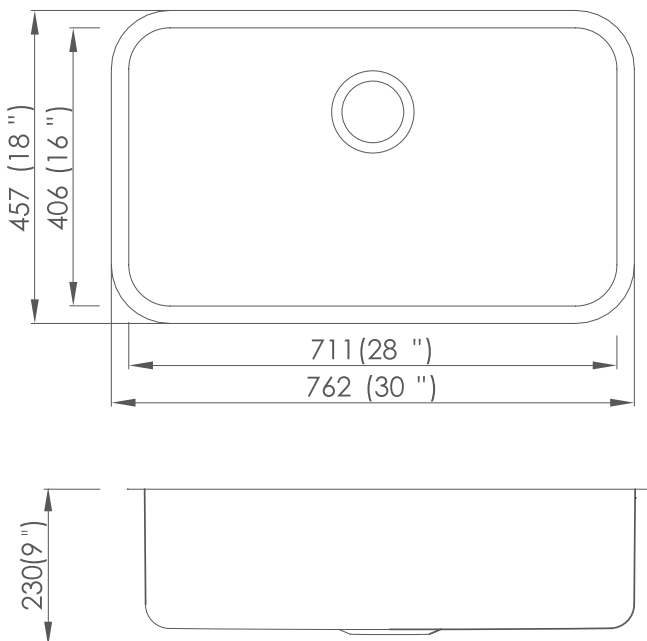


ASME A112.19.2-2018  
/CSA B45.1-18



Undermount  
sink

#### Spec and Installation Notes



#### Recommended cut-out size:

